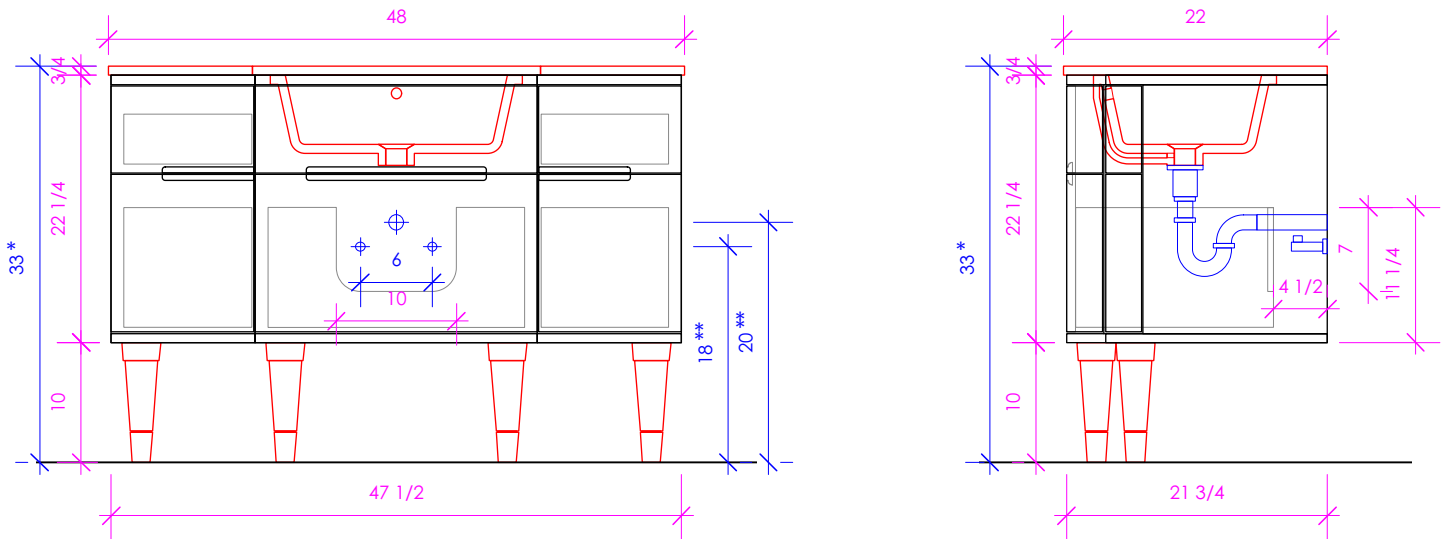


LACAVA

ELEGANZA

ELE-W-48



* Recommended installation height
** Recommended plumbing location

FEATURES:

- WALL MOUNT VANITY
- ROUNDED CORNERS
- FIVE DRAWERS WITH SELF-CLOSE GLIDES
- DRAWER BOXES STAINED TO REFLECT EXTERIOR FINISH
- ROUTED FINGERPULL OPENINGS
- USED WITH **ELE-48T** COUNTERTOP AND **H270** SINK (SOLD SEPARATELY)
- WOOD LEGS **ELE-LEG** ADD ON AVAILABLE (SOLD SEPARATELY)
- MOUNTING: FRENCH CLEAT (INCLUDED) (SEE FURNITURE MANUAL)
- PROUDLY HANDMADE IN THE USA
- MANUFACTURED WITH LOW VOC FINISHES AND WOOD FROM RENEWABLE FORESTS

FINISHES:

WOOD:

STANDARD:

- 02 - NATURAL CHERRY
- 07 - NATURAL WALNUT
- 24 - CLASSIC WALNUT
- 20 - ASH GRAY
- 06 - WENGE
- 33 - AFRICAN MAHOGANY

PREMIUM:

- 22 - GRAY ZEBRA
- 31 - WHITE OAK
- 27 - RUSTIC
- 47 - SMOKY WALNUT

LUXURY:

- 37 - WEATHERED OAK
- 52 - SILVER OAK
- 50 - HORIZON BLUE

- 46 - DRIFTWOOD
NEWTERRA ONLY

- 85 - GLOSS WHITE
- 88 - GLOSS ARDESIA
- 84 - GLOSS TAUPE
- 86 - GLOSS BLACK

- 08T1 - WHITE W/ TEXTURE
- 35T1 - ARDESIA W/ TEXTURE
- 54T1 - TAUPE W/ TEXTURE
- 16T1 - BLACK W/ TEXTURE

COUNTERTOP: **ELE-48T**

STONE:

- WH - BIANCO
- LN - LINAC
- SL - ATHENS

QUARTZ:

- PR - PURO
- AH - ASH

SOLID SURFACE:

- M - SATIN WHITE
- G - POLISHED WHITE
- R - MARMO
- V - LAVA
- D - OBSIDIAN

CONCRETE:

- SND - SAND
- SLT - SLATE
- TER - TERRACOTTA
- CHL - CHARCOAL

METALS:

METAL:

- 21 - BRUSHED STAINLESS STEEL
- 10 - POLISHED STAINLESS STEEL
- 44 - MATTE BLACK
- MW - MATTE WHITE
- BPW - BRASS POWDER COAT

LACAVA reserves the right to revise any dimension or information on this sheet without notice. Dimensions are nominal and may vary within an industry accepted tolerance of 1/4". Cabinets with 'vanity top' sinks are made to the matching sink and dimensions may vary. LACAVA is not responsible for any cutouts, countertops, or furniture made without the actual product or template. Differences in color, grain, appearance, and texture are inherent in all natural woodwork and should be expected. Variances in these qualities are not deemed manufacturing defects and will not be accepted as valid reasons for return or exchanges. Plumbing specifications are only a guideline and may need alteration based on application.

6630 WEST WRIGHTWOOD
CHICAGO, IL 60707

PH: 773-637-9600
FAX: 773-637-9601

LACAVA.COM
INFO@LACAVA.COM