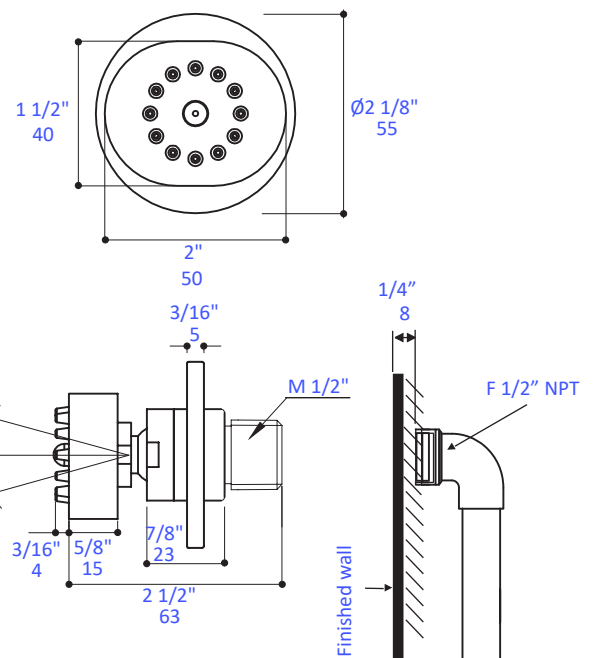


Features:

- Wall-mount tilting body spray with round escutcheon
- Fixed jet
- Brass construction with rubber nozzles
- 1.75 GPM flow regulator with back flow prevention included for California - flow rate: 1.3 GPM at recommended 43.5 psi
- Flow rate 8.5 GPM at 43.5 psi without 1.75 GPM flow regulator

Finish Options:

- CR - Polished Chrome



Codes + Standards:

- Meets and exceeds applicable national codes
- Meets Cal-green requirement
- Complies with CEC standard

Recommended Accessories:

- Item #12340.1: Built-in single lever pressure balancing mixer with round escutcheon

LACAVA reserves the right to revise any dimension or information on this sheet without notice. Dimensions are nominal and may vary within an industry accepted tolerance of 1/4". Drawings provided herein are meant to give the user an idea of the product and are not made to scale. Location of plumbing is meant for reference, your specific application may vary.

Revised: 6/22/2020