

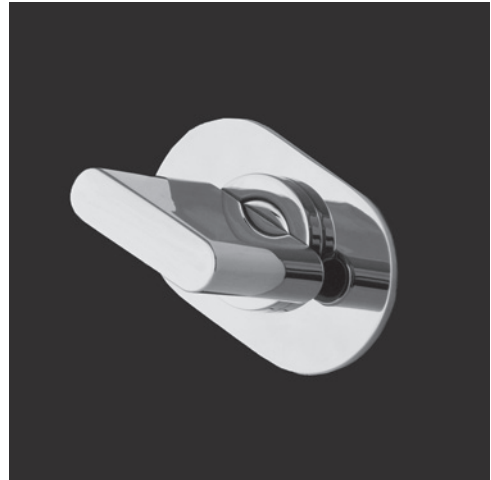
Tre Volume Control Item #2860 (.5/.75)

Features:

- Built-in stop valve with knob handle and backplate
- Brass construction with single ceramic cartridge
- Includes rough-in and trim
- Flow rate: 12 GPM at 43.5 PSI

Recommended Accessories:

- Item #2845: Built in thermostatic valve with knob handle and backplate



Finish Options:

CR - Polished Chrome

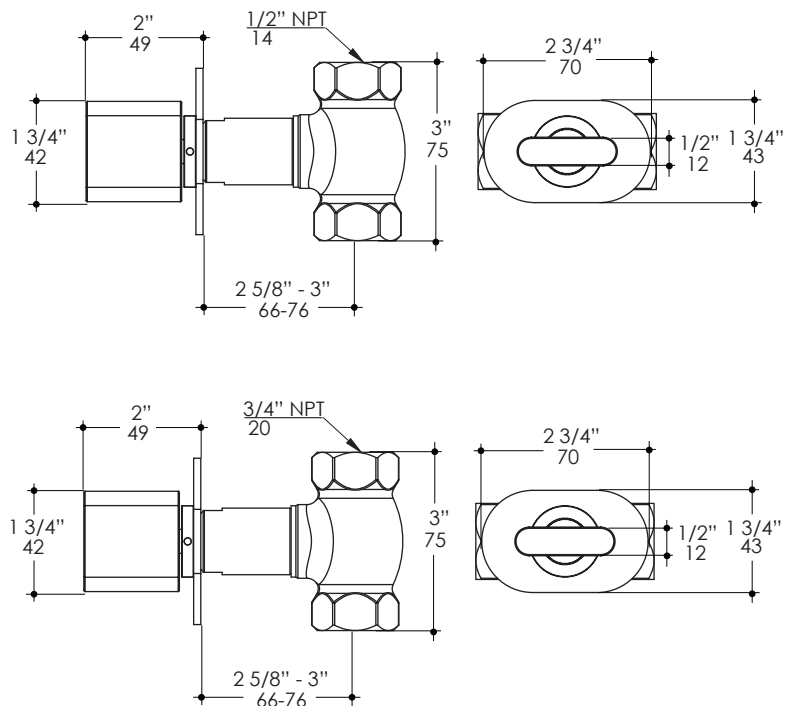
Valve Options:

- 2860.5 - 1/2" F NPT inlet and outlet
- 2860.75 - 3/4" F NPT inlet and outlet

Parts:

- R083 - Replacement ceramic disc cartridge (clockwise open)
- R2860EX - 1" extension kit

Product Specifications:



Notes:

Drawings provided herein are meant to give the user an idea of the product and are not made to scale. The size in inches is rounded up to the nearest 1/16".

LACAVA is committed to the highest level of customer service. Please feel free to contact us at 1-888-522-2823 (toll free) or by email at info@lacava.com for technical assistance or any general inquiries.

Rev. 05-22-2017