

### Specifications:

<b>Installation:</b>	deck mount 8" spread, 2-handle
<b>Exterior Dimensions:</b>	H: 5 1/8" SPOUT: 6"
<b>Material:</b>	solid brass construction
<b>Water use:</b>	1.2 GPM
<b>Pop-up:</b>	yes
<b>Finishes:</b>	CR - polished chrome PN - polished nickel NI - brushed nickel BG - brushed gold 44 - matte black

<b>Cutout Size:</b>	3 x $\varnothing$ 1 3/8"
<b>Accessories included:</b>	24" flexible hot/cold water supply lines, pop-up drain

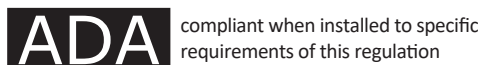


### Features:

- European sized drain
- ceramic disk cartridge
- complements the Eleganza Collection

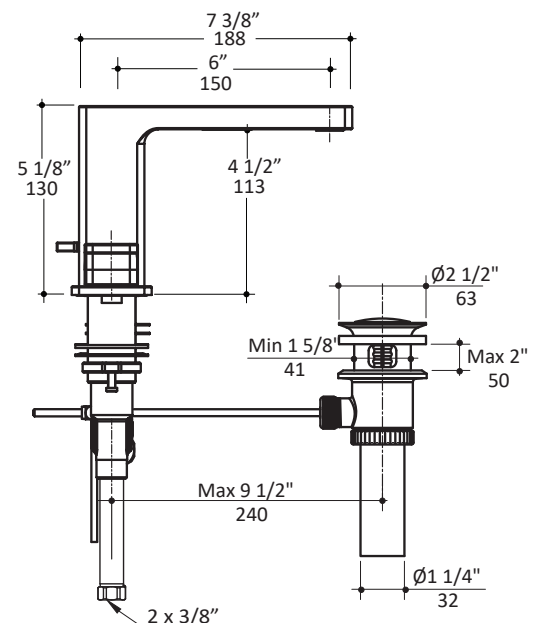
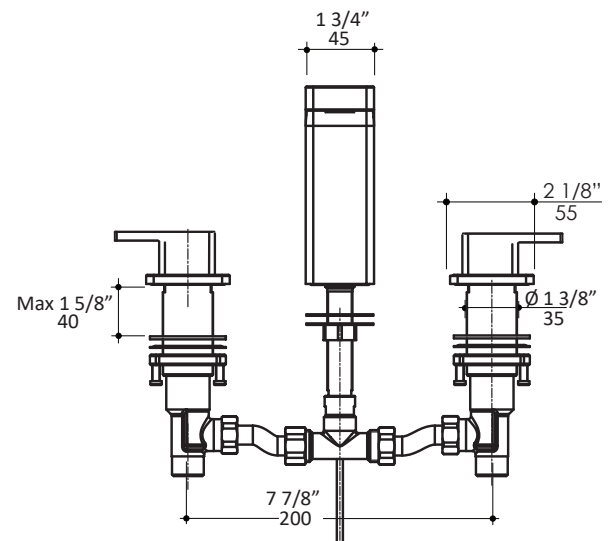
### Codes + Standards:

- Meets and exceeds applicable national codes and standards
- CAL-Green compliant



### Recommended Items:

- Replacement parts:
  - R025-26 ceramic disc cartridge set hot/cold
  - R1803-AER replacement aerator
- European drain with overflow
  - 7100-16OF click-clack drain
  - 7100-13OF grid drain
  - 7100-12 pop-up drain



LACAVA reserves the right to revise any dimension or information on this sheet without notice. Dimensions are nominal and may vary within an industry accepted tolerance of 1/4". Drawings provided herein are meant to give the user an idea of the product and are not made to scale. Location of plumbing is meant for reference, your specific application may vary.

Revised: 12/26/2018