

Specifications:

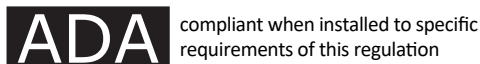
Installation:	built-in wall mount
Exterior Dimensions:	Ø 2 3/4"
Material:	solid brass construction ceramic cartridge
Water use:	10 GPM (43.5 PSI)
Finishes:	CR - polished chrome PN - polished nickel NI - brushed nickel BG - brushed gold 44 - matte black
Fittings included:	2-way diverter : rough-in # VD2 and trim # 15D2.X.R-A 3-way diverter : rough-in # VD3 and trim # 15D3.X.R-A

Features:

- 2-way diverter valve (15D2.X.R) with OFF function
- 3-way diverter valve (15D3.X.R) with OFF function
- round backplate
- cross handle
- 2-way diverter operating angle 90°, total turning angle 180° (outlet **B** and **C**)
- 3-way diverter operating angle 60°, total turning angle 360° (outlet **A**, **B**, and **C**)
- 1/2" NPT water IN and OUT connections
- 1" extension kit available

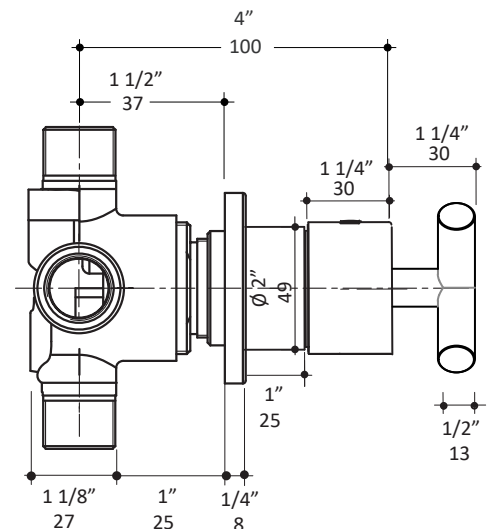
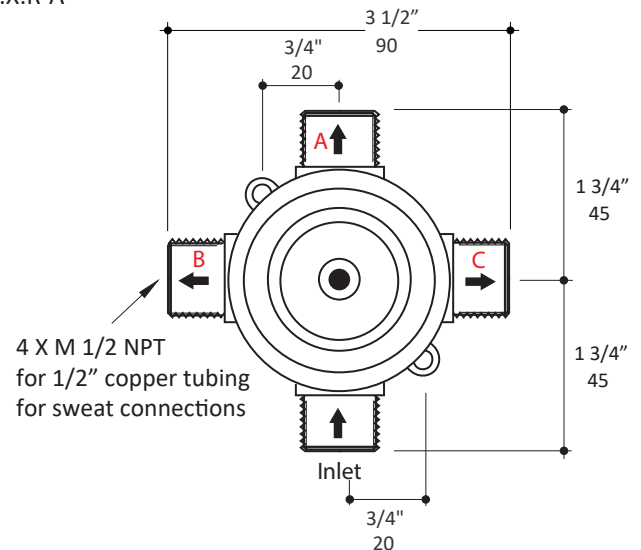
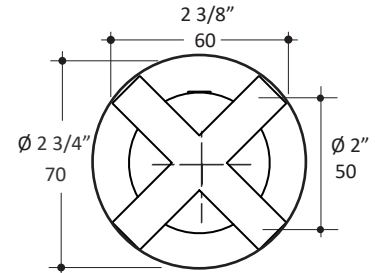
Codes + Standards:

- Meets and exceeds applicable national codes and standards
- CAL-Green compliant



Recommended Items:

- Replacement parts:
 - VD2 rough-in for 2-way diverter
 - VD3 rough-in for 3-way diverter
 - 15D2_3.X.R-A trim
 - VD2-C ceramic cartridge for 2-way diverter
 - VD3-C ceramic cartridge for 3-way diverter
 - VD2_3-EX 1" extension kit



LACAVA reserves the right to revise any dimension or information on this sheet without notice. Dimensions are nominal and may vary within an industry accepted tolerance of 1/4". Drawings provided herein are meant to give the user an idea of the product and are not made to scale. Location of plumbing is meant for reference, your specific application may vary.
Revised: 07/19/2019